

2MP 55x Lighthunter Laser IR Network Positioning System

IPC7622EL-X55UG



Key Features



Optics

- 55X Optical Zoom(6.4~352mm)
- Starlight illumination
- Support Optical defog, Self-adaptive defog
- Day/night functionality
- Vari-focal laser: 1000m (3280ft) distance, proportional to optical zoom of camera module
- Gyroscope stabilization for stable picture
- Up to 120 dB Optical WDR(Wide Dynamic Range)
- Optical glass window with higher light transmittance
- IR anti-reflection window to increase the infrared transmittance
- 2D/3D DNR (Digital Noise Reduction)

Compression

- Ultra 265, H.265, H.264, MJPEG
- Support 1080P@60fps, which has the smoother motion image
- Triple streams
- ROI (Region of Interest)

Network

- ONVIF Conformance

Structure

- Intelligent temperature control technology
- Support automatic wiper function
- Embedded gradienter to ensure the horizontal position while installation
- Wide temperature range: -40°C to 70°C (-40°F to 158°F)
- Power supply: DC 48V±25%/DC 24V±15%(DC20V~DC60V), DC -48V±25%/DC -24V±15%(DC-20V~-DC-60V), AC 24V±25%
- Support 1/1 audio in/out, 7/2 alarm in/out ,1 Serial port RS485,1 BNC
- Support up to 256G Micro SD card
- Ingress Protection: IP66

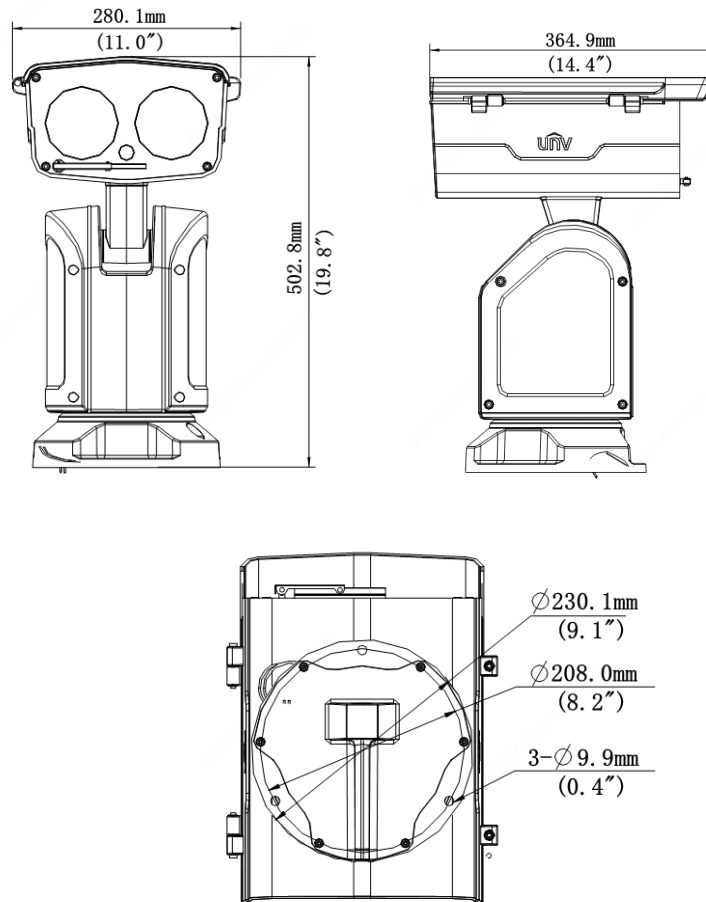
Specifications

| IPC7622EL-X55UG | | | | | |
|-------------------------|--|-------------------|------------------|------------------|-----------------|
| Camera | | | | | |
| Sensor | 1/2.8" progressive scan, 2.0megapixel, CMOS | | | | |
| Lens | 6.4~352mm, AF automatic focusing and motorized zoom lens | | | | |
| Digital Zoom | 16 | | | | |
| Optical Zoom | 55 | | | | |
| DORI Distance | Lens | Detect(m) | Observe(m) | Recognize(m) | Identify(m) |
| | 6.4mm | 99.3(325.7ft) | 39.7(130.2ft) | 19.9(65.3ft) | 9.9(32.5ft) |
| | 352mm | 5462.1(17915.7ft) | 2184.8(7166.1ft) | 1092.4(3583.1ft) | 546.2(1791.5ft) |
| Angle of View (H) | 42.0° ~ 1° | | | | |
| Angle of View (V) | 34.8°~0.5° | | | | |
| Angle of View (O) | 51.6°~1.1° | | | | |
| Shutter | Auto/Manual, shutter time: 1s ~ 1/100000 s | | | | |
| Minimum Illumination | 0.002lux (F1.8, AGC ON, Colour), 0 lux with IR | | | | |
| Iris | F1.8 ~ F6.5 | | | | |
| Day/Night | IR-cut filter with auto switch(ICR) | | | | |
| Digital noise reduction | 2D/3D DNR | | | | |

| | |
|------------------------------------|--|
| S/N | >52 dB |
| Defog | Optical Defog |
| WDR | 120dB |
| VF Laser | 1000m(3280ft) |
| Video | |
| Video Compression | Ultra 265, H.265, H.264, MJPEG |
| Frame Rate | Main Stream:2MP (1920×1080)@60fps Sub Stream:2MP(1920×1080)@60fps; Third Stream:D1(720×576)@60fps |
| HLC | Supported |
| BLC | Supported |
| Gyroscope | Supported |
| OSD | Up to 8 OSDs |
| Privacy Mask | Up to 24 areas |
| ROI | Up to 8 areas |
| Motion Detection | Up to 4 areas |
| Smart | |
| Behavior Detection | Intrusion detection, Cross line detection, |
| Exception Detection And Statistics | Object Moving, Object Left |
| Recognition | Face detection, Audio detection, Motion detection, Voltage detection |
| Statistical Analysis | People counting |
| General Function | Watermark, IP Address Filtering, Tampering Alarm, Alarm input, Alarm output, Access Policy, ARP Protection, RTSP Authentication, User Authentication |
| Audio | |
| Audio Compression | G.711U, G.711A |
| Two way audio | Supported |
| Storage | |
| Edge Storage | Micro SD, up to 256 GB |
| Network Storage | ANR |
| Network | |
| Protocols | IPv4, IPv6, IGMP, ICMP, ARP, TCP, UDP, DHCP, PPPoE, RTP, RTSP, RTCP, DNS, DDNS, NTP, FTP, UPnP, HTTP, HTTPS, SMTP, 802.1x, SNMP, QoS, RTMP |
| Compatible Integration | ONVIF(Profile S, Profile G, Profile T),API |
| Pan & Tilt | |
| Pan Range | 360° |
| Pan Speed | 0.1°/s ~140°/s |
| | Preset speed: 140°/s |
| Tilt Range | -90° ~ +45° |
| Tilt Speed | 0.1° ~50°/s |
| | Preset speed:50°/s |
| Number of Presets | 1024 |
| Patrol | Preset patrol, route patrol, recorded patrol |
| Power-off memory | Supported |
| Keep watch | Supported |

| Interface | |
|--------------------------|--|
| Audio I/O | 1 Input: impedance 35 k Ω ; amplitude 2 V [p-p] |
| | 1 Output: impedance 600 Ω ; amplitude 2 V [p-p] |
| Alarm I/O | 7/ 2 |
| Serial Port | 1 RS485 |
| Network | 10M/100M/1000M Base-TX Ethernet + 100M/1000M SFP |
| Video Output | 1 BNC, impedance 75 Ω ; amplitude 1 V [p-p] |
| General | |
| Power | DC 48V \pm 25%/DC 24V \pm 15% (DC20V~DC60V) DC -48V \pm 25%/DC -24V \pm 15% (DC-20V~DC-60V) AC 24V \pm 25% |
| | Power consumption: Max 103.5W |
| Dimensions (Φ x H) | 280.1mmx364.9mm x502.8mm (Φ 11.0" x 14.4" x19.8") |
| Weight | 14.5kg(31.9lb) |
| Working Environment | -40°C ~ +70°C (-40°F ~ 158°F), Humidity : \leq 95% RH(non-condensing) |
| Ingress Protection | IP66 |

Dimensions



Zhejiang Unview Technologies Co., Ltd.

South Tower, Building 10, Wanlun Science Park, 88 Jiangling Road, Hangzhou, P.R.China 310051

Email: overseasbusiness@uniview.com; globalsupport@uniview.com

<http://www.uniview.com>

©2020 Zhejiang Uniview Technologies Co., Ltd. All rights reserved.

*Product specifications and availability are subject to change without notice.